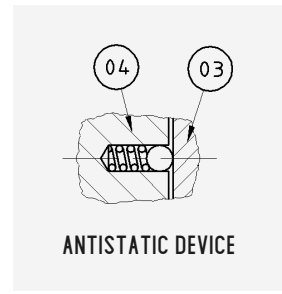
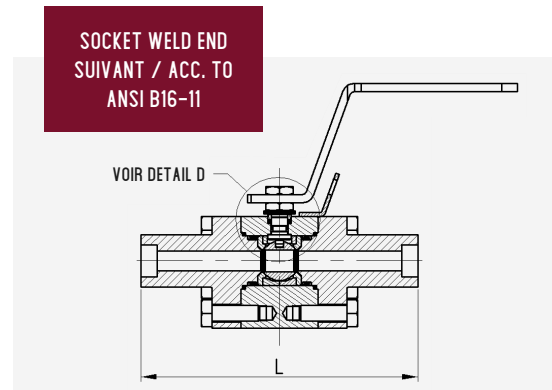
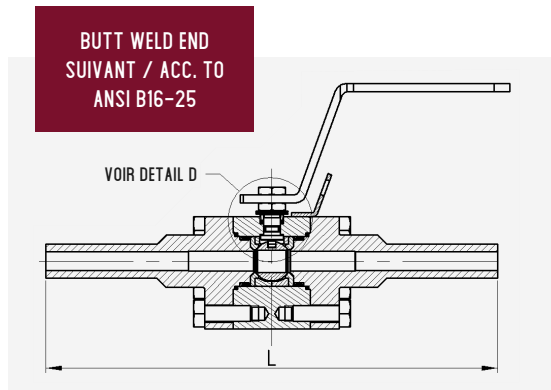
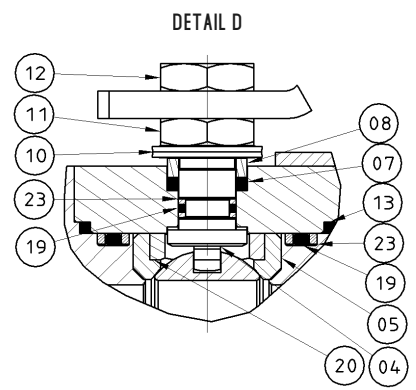
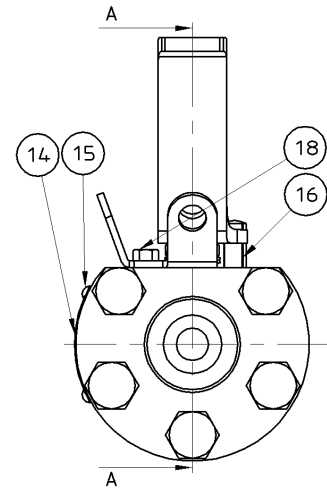
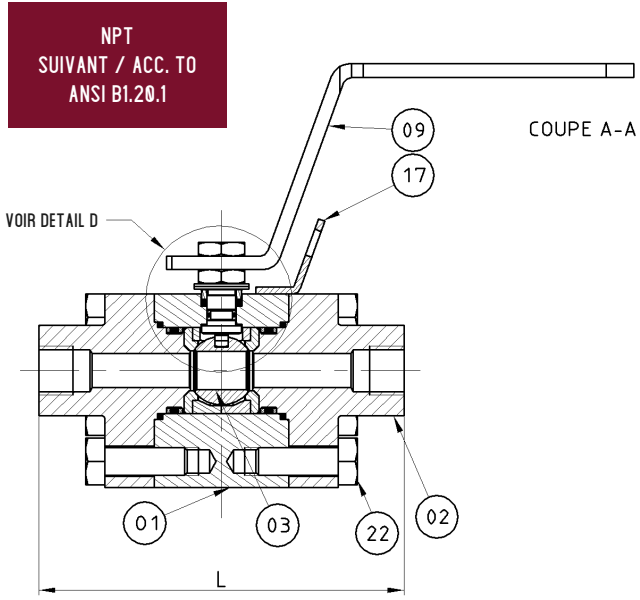


# BALL VALVE

## BTB ROBINET BOULONNÉ À BOISSEAU FLOTTANT BTB FLOATING BOLTED BALL VALVE



SERIE / CLASS

800 - 2500

ENDS

BW - NPT - SW

### COMPONENT PARTS

23	BAGUE ANTI-EXTRUSION / ANTI EXTRUSION RING
22	VIS / SCREW
21	JOINT TORIQUE / O-RING
20	BAGUE DEUX PIECES / SPLIT RING
19	JOINT TORIQUE / O-RING
18	VIS DE FIXATION / SCREW (OPTION)
17	PATTE DE VERROUILLAGE / LOCKING DEVICE (OPTION)
16	GOUILLON / PIN
15	RIVET / RIVET
14	PLAQUE D'IDENTIFICATION / FIRM PLATE
13	JOINT D'ETANCHEITE / BODY CONNECTOR SEAL
12	ECROU / NUT
11	ECROU DE FOULOIR / GLAND NUT
10	RONDILLE RESSORT / DISC SPRING
09	POIGNEE / HANDLE
08	FOULOIR / PACKING GLAND
07	GARNITURE D'ETANCHEITE / PACKING RING
06	RONDILLE DE FRICTION / FRICTION RING
05	ELEMENT D'ETANCHEITE / BODY SEAT RING
04	AXE DE COMMANDE / STEM
03	TOURNANT SPHERIQUE / BALL
02	EMBOUIT / END CONNECTOR
01	CORPS / BODY
REP	DESIGNATION