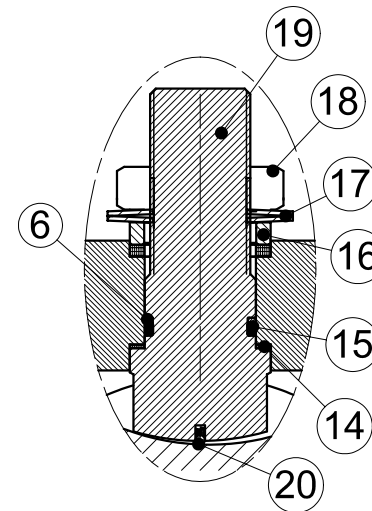
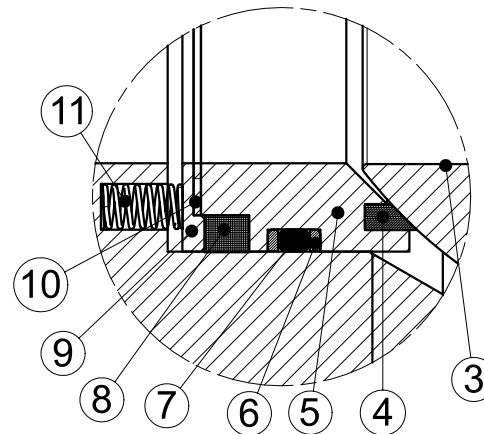
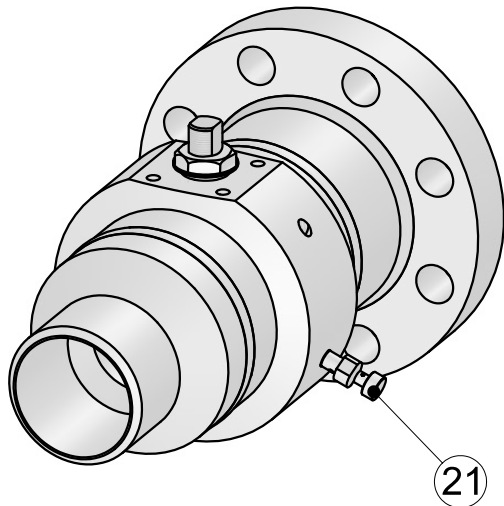
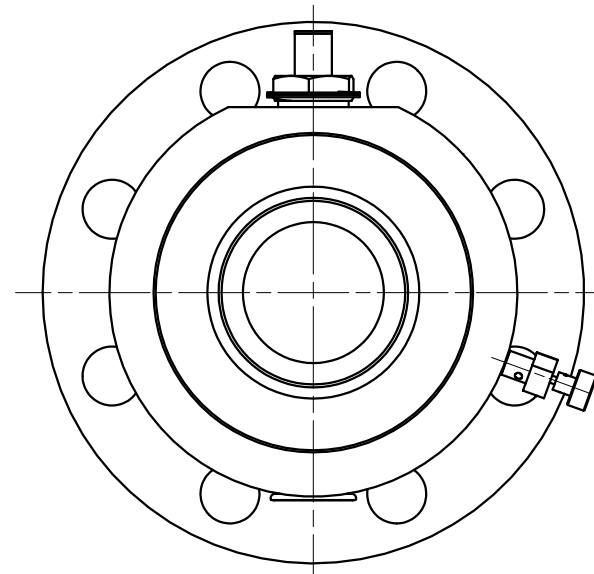
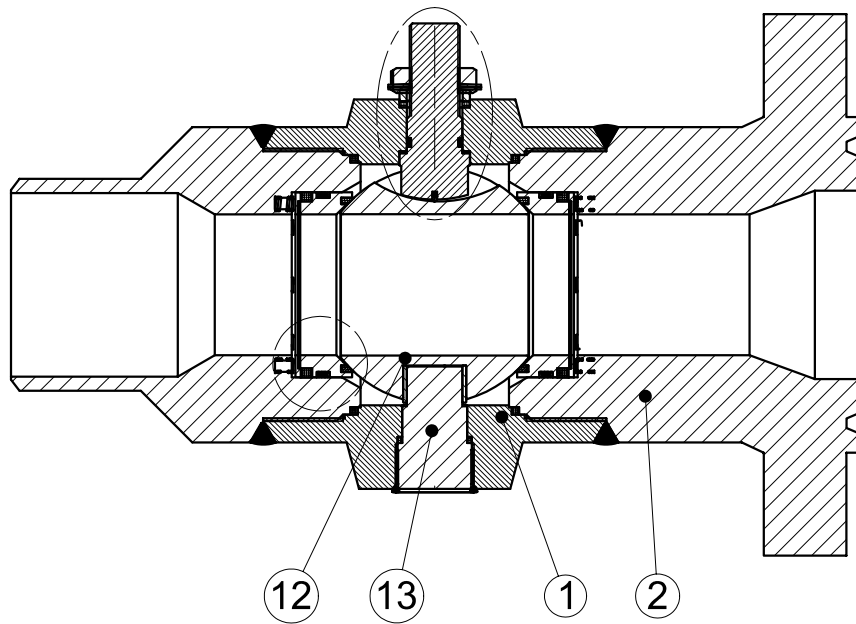


BALL VALVE

BTCZ ROBINET SOUDÉ À BOISSEAU ARBRÉ
BTCZ TRUNNION WELDED BALL VALVE



SERIE / CLASS

150 → API 10 000

ENDS

BW - HUB - BRIDES / FLANGES

COMPONENT PARTS

21	BOUCHON DE PURGE / VENT PLUG
20	SYSTEME ANTISTATIQUE / ANTI-STATIC DEVICE
19	AXE / STEM
18	ECROU / NUT
17	RONDELLE RESSORT / DISC SPRING
16	FOULOIR / PACKING GLAND
15	JOINT TORIQUE / O'RING
14	RONDELLE DE FROTTEMENT / THRUST WASHER
13	AXE INFERIEUR / TRUNNION
12	PALIER / BUSHING
11	RESSORT / SPRING
10	JOINT DE SIEGE / SEAT SPACER
9	FOULOIR DE SIEGE / SEAT ACTIVATOR
8	GARNITURE / PACKING
7	JOINT TORIQUE / O'RING
6	BAGUE ANTI-EXTRUSION / BACK-UP RING
5	SUPPORT DE SIEGE / SEAT HOLDER
4	SIEGE / SEAT
3	BOISSEAU / BALL
2	EMBOUT / END CONNECTOR
1	CORPS / BODY
REP	DESIGNATION