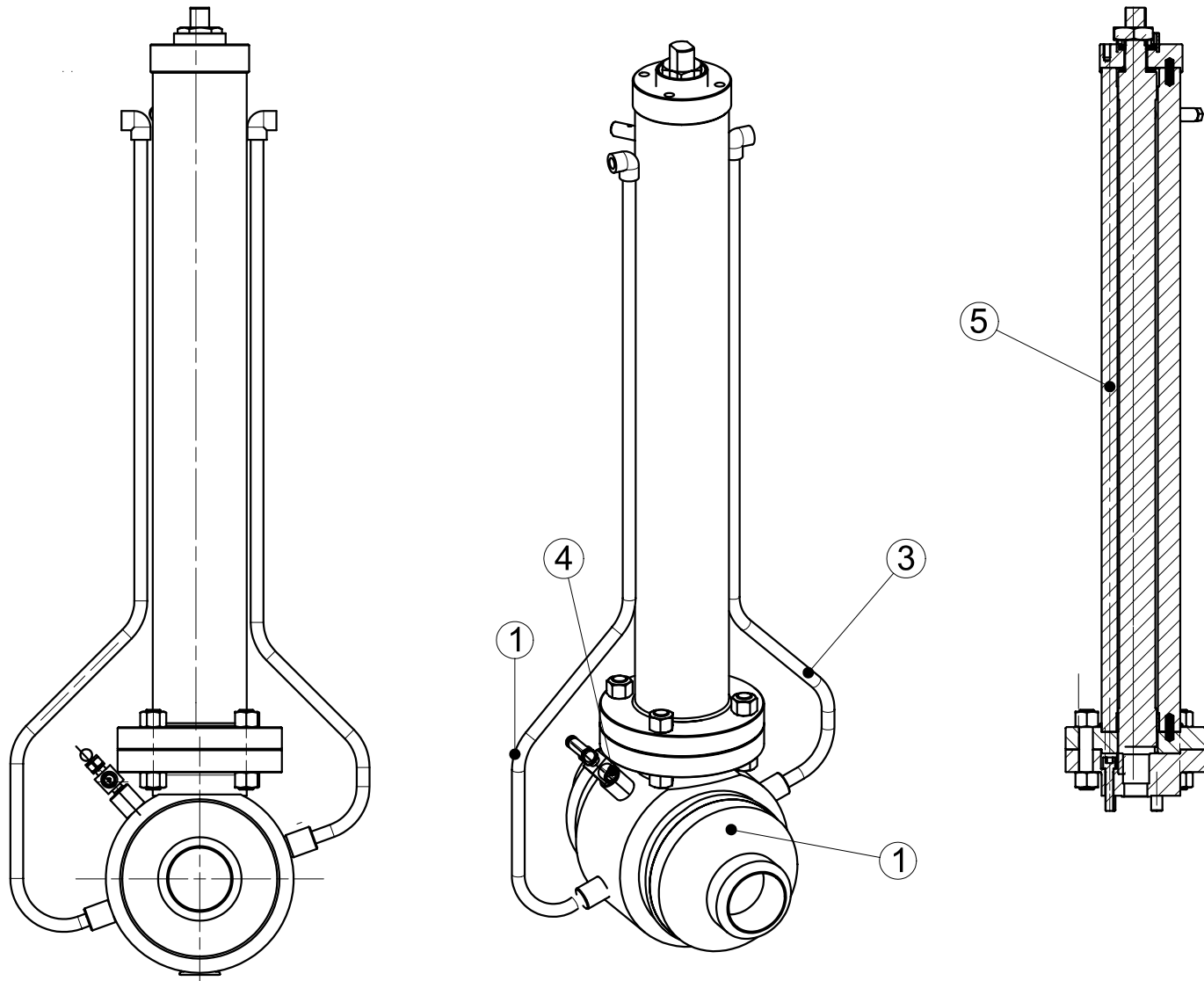


BALL VALVE

BTCZ ROBINET SOUDÉ À BOISSEAU ARBRÉ ENTERRÉ
BTCZ TRUNNION WELDED BALL VALVE



SERIE / CLASS

150 → API 10 000

ENDS

BW - HUB - BRIDES / FLANGES

COMPONENT PARTS

5	REHAUSSE / EXTENSION
4	ROBINET DE PURGE / BLEED NEEDLE
3	TUBE D'EVENT / VENT PIPE
2	TUBE DE PURGE / BLEED PIPE
1	ROBINET / BALL VALVE
REP	DESIGNATION