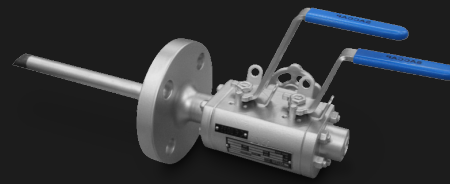
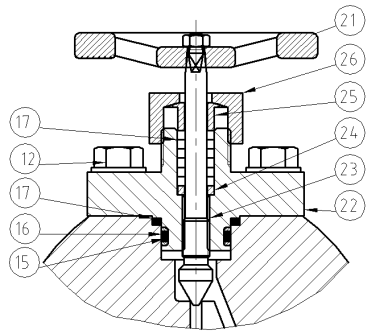


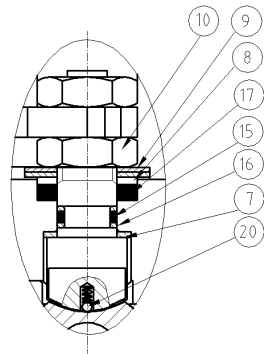
# BALL VALVE



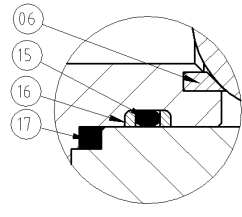
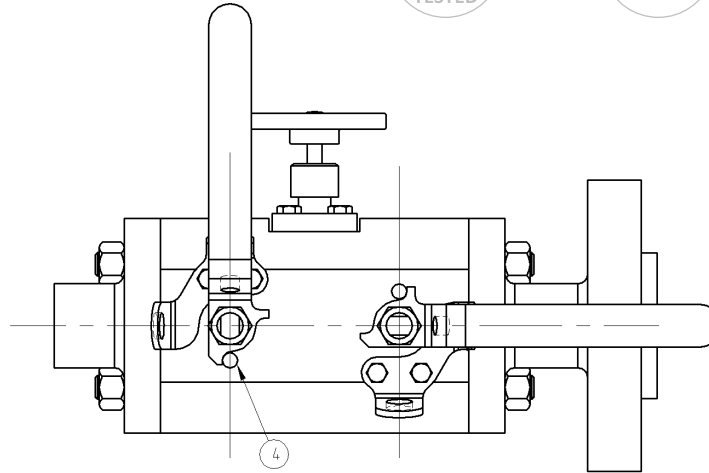
DBB FLOTTANT  
FLOATING BALL DBB



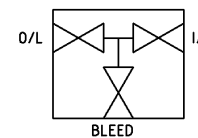
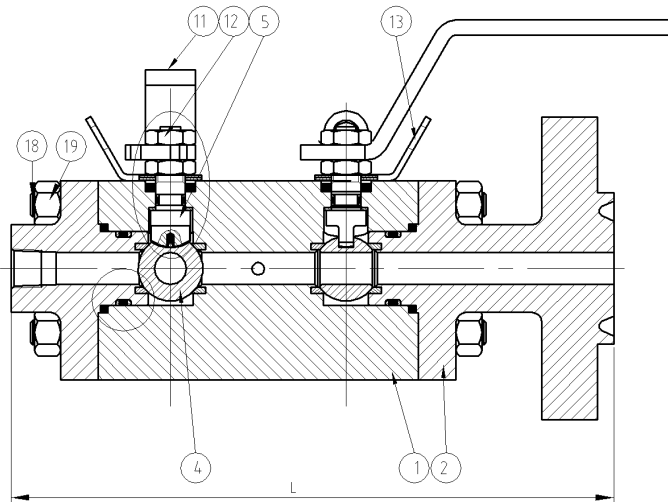
BLEED NEEDLE VALVE DETAIL



STEM DETAILS



SEAT DETAILS



<b>Sizes</b>	from 1/2" to 3"
<b>Pressure Ratings</b>	ANSI: 150 to 2500
<b>Material</b>	Carbon Steel / Stainless Steel / Duplex Steel / Aluminum Bronze / High Nickel Alloys / Titanium... Forged or cast construction
<b>Seats</b>	Metal to metal / Soft seat
<b>End Connections</b>	Flanged / Buttweld / NPT-F
<b>Design</b>	Full Bore / Reduced Bore According to: - ANSI B16-34 - API 6D - EEMUA 182 - Customer specifications - API & ISO Fire Safe Certifications - FET ISO 15848 Rate A
<b>Options</b>	Cryogenic - Oxygen Service - High Temperature Special / Low Flow Conditions...

## COMPONENT PARTS

26	ECROU DE FOULOIR / PACKING GLAND NUT
25	FOULOIR / PACKING GLAND
24	RONDELLE DE FOND / PACKING STOP RING
23	STEM / AXE
22	CHAPEAU / BONNET
21	VOLANT / HANDWHEEL
20	ANTI - STATIQUE / ANTI-STATIC
19	ECROU HAUT / HEAVY HEX NUT
18	TIRANT / STUD
17	GARNITURE D'ETANCHEITE / PACKING RING
16	BAGUE ANTI-EXTRUSION / ANTI EXTRUSION RING
15	JOINT TORIQUE / O-RING
14	PLAQUE D'IDENTIFICATION / FIRM PLATE
13	PATTE DE VERROUILLAGE / LOCKING DEVICE (OPTION)
12	VIS / SCREW
11	POIGNEE / HANDLE
10	ECROU / NUT
09	RONDELLE RESSORT / DISC SPRING
08	FOULOIR / PACKING GLAND
07	RONDELLE DE FRICTION / FRICTION RING
06	ELEMENT D'ETANCHEITE / BODY SEAT RING
05	AXE DE COMMANDE / STEM
04	TOURNANT SPHERIQUE / BALL
03	GOUPILLE / PIN
02	EMBOUT / BODY CONNECTOR
01	CORPS / BODY
REP	DESIGNATION