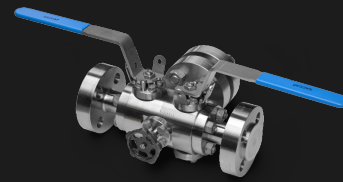
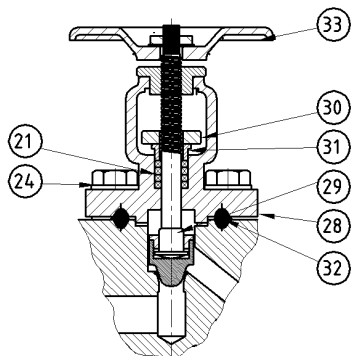
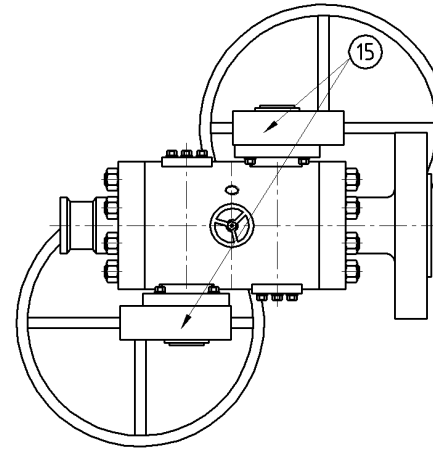
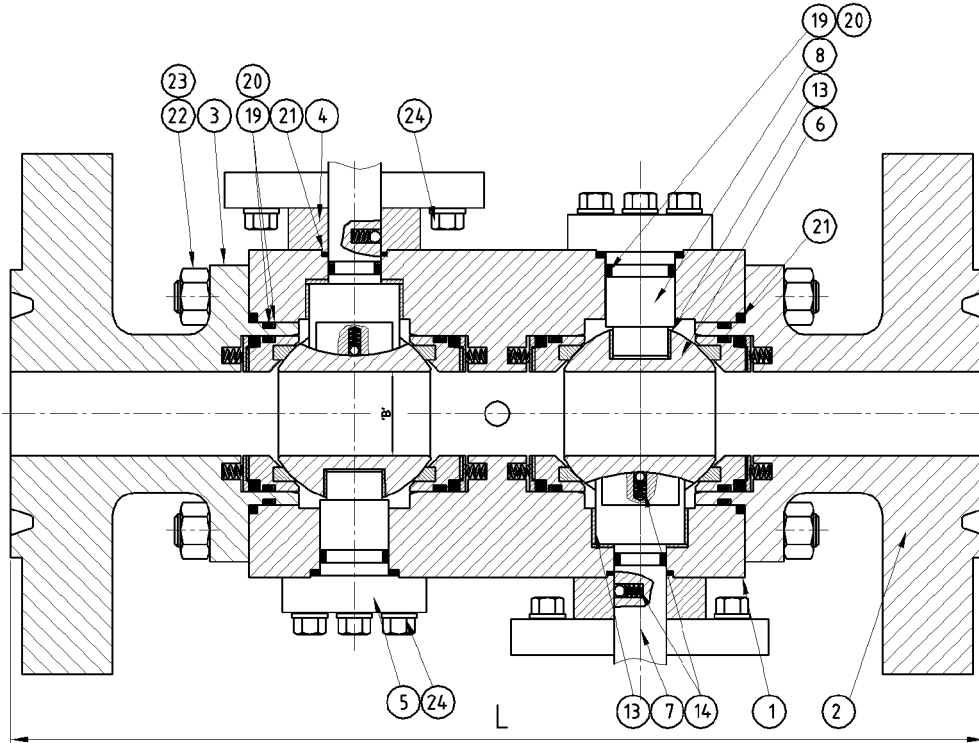


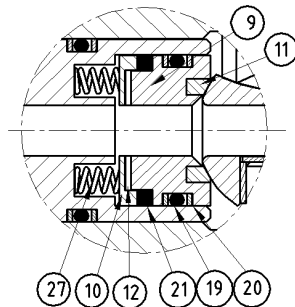
BALL VALVE



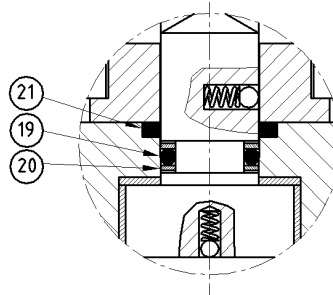
DBB ARBRÉ
TRUNNION BALL DBB



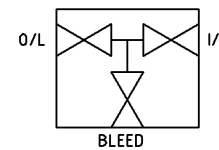
BLEED NEEDLE VALVE DETAIL



SEAT DETAILS



STEM DETAILS



Sizes	from 2" to 6"
Pressure Ratings	ANSI: 150 to 2500 - API: 2,000 to 10,000
Material	Carbon Steel / Stainless Steel / Duplex Steel / Aluminum Bronze / High Nickel Alloys / Titanium... Forged or cast construction
Seats	Metal to metal / Soft seat
End Connections	Flanged / Buttweld / Hub ends
Design	Full Bore / Reduced Bore According to: - ANSI B16-34 - API 6D - EEMUA 182 - Customer specifications - API & ISO Fire Safe Certifications - FET ISO 15848 Rate A
Options	Cryogenic - Oxygen Service - High Temperature Special / Low Flow Conditions...

COMPONENT PARTS

33	VOLANT / HANDWHEEL
32	JOINT OCTOGONAL / OCTOGONAL RING JOINT
31	GARNITURE D'ETANCHEITE / PACKING
30	BRIDE DE FOULOIR / GLAND FLANGE
29	AXE DE COMMANDE / STEM
28	CHAPEAU / BONNET
27	RESSORT / SPRING
25	PLAQUE D'IDENTIFICATION / FIRM PLATE
24	VIS / SCREW
23	ECROU HAUT/ HEAVY HEX NUT
22	TIRANT / STUD
21	GARNITURE D'ETANCHEITE / PACKING RING
20	BAGUE ANTI-EXTRUSION / ANTI EXTRUSION RING
19	JOINT TORIQUE / O-RING
15	REDUCTEUR / GEARBOX
14	ANTI - STATIQUE / ANTI-STATIC
13	PALIER / BUSH
12	JOINT DE SIEGE / SEAT SPACER
11	SIEGE / SEAT
10	PRESSE ETOUPE DE SIEGE / SEAT ACTIVATOR
09	SUPPORT DE SIEGE / SEAT HOLDER
08	AXE INFERIEUR / TRUNNION
07	AXE DE COMMANDE / STEM
06	TOURNANT SPHERIQUE / BALL
05	BRIDE D'AXE INFERIEUR / TRUNNION FLANGE
04	CHAPEAU / BONNET
03	EMBOUT / BODY CONNECTOR
02	EMBOUT / BODY CONNECTOR
01	CORPS / BODY
REP	DESIGNATION